



ARNPRIOR

Building Division

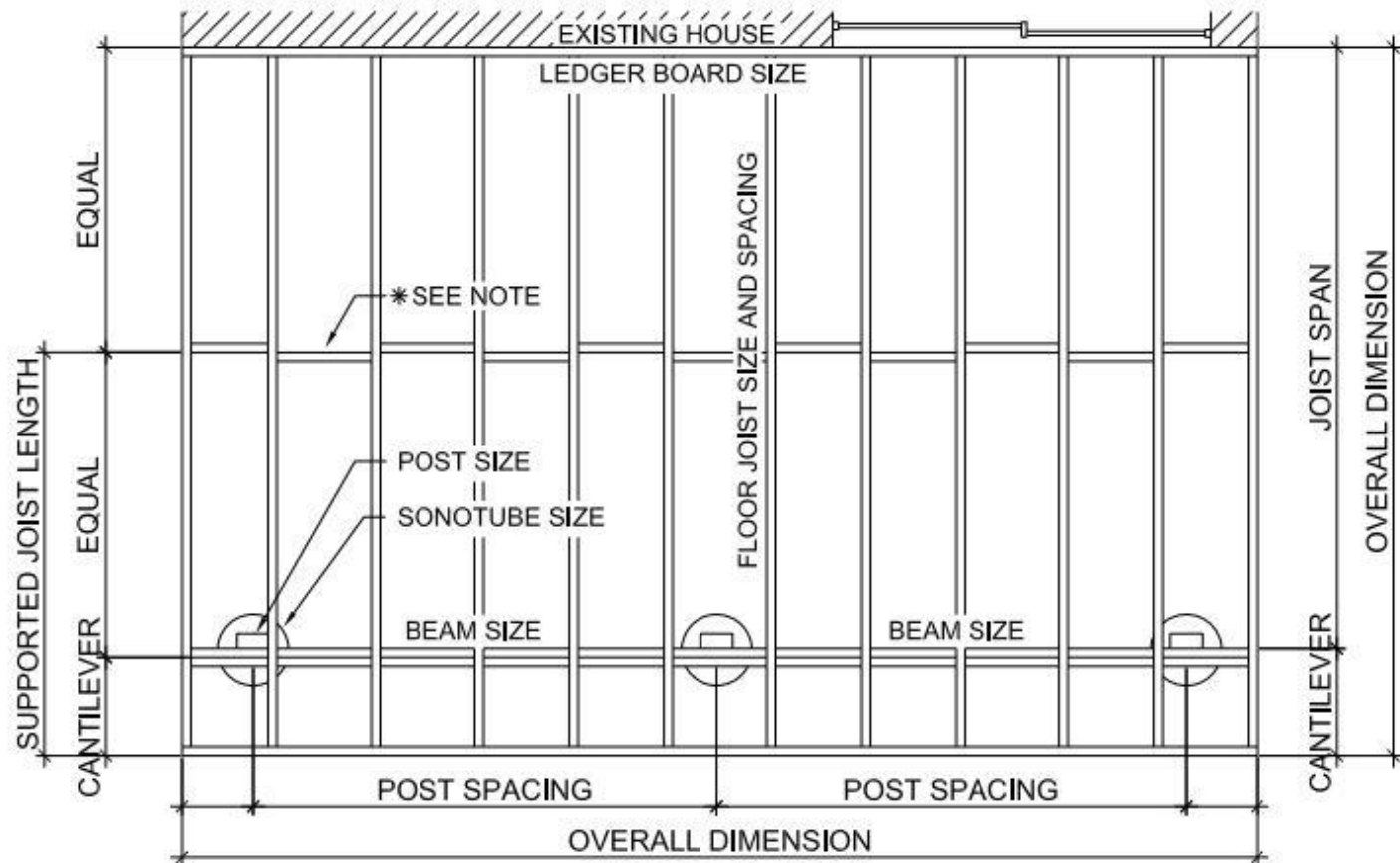
Deck Layout and Span Tables

DATE:
MAY 2015

SCALE:
NOT TO SCALE

DRAWING NO.:

9-3a



Deck Layout

**All decking is to be 5/4 x 6 wood material or approved equal

Maximum 2-Ply Beam Length			
Supported Joist Length	2 x 8	2 x 10	2 x 12
4'-0"	11'-7"	14'-10"	17'-4"
6'-0"	9'-10"	12'-1"	14'-0"
8'-0"	8'-7"	10'-6"	12'-3"
10'-0"	7'-8"	9'-4"	10'-8"
Maximum 3-Ply Beam Length			
8'-0"	10'-8"	13'-0"	15'-1"
10'-0"	9'-6"	11'-8"	13'-6"

Maximum Floor Joist Length		
Joist Size	Max. Span	Max. Cantilever
2x8 @ 12" O.C.	12'-6"	20"
2x8 @ 16" O.C.	11'-9"	16"
2x8 @ 24" O.C.	11'-0"	14"
2x10 @ 12" O.C.	14'-6"	28"
2x10 @ 16" O.C.	13'-8"	24"
2x10 @ 24" O.C.	12'-10"	20"
2x12 @ 12" O.C.	16'-5"	28"
2x12 @ 16" O.C.	15'-6"	24"
2x12 @ 24" O.C.	14'-6"	20"

* Install solid blocking when floor joist span exceeds 6'-10". Blocking required to be of the same material and size as the floor joist and located not more than 6'-10" from each support and other rows of blocking.



ARNPRIOR

Building Division

Deck Details

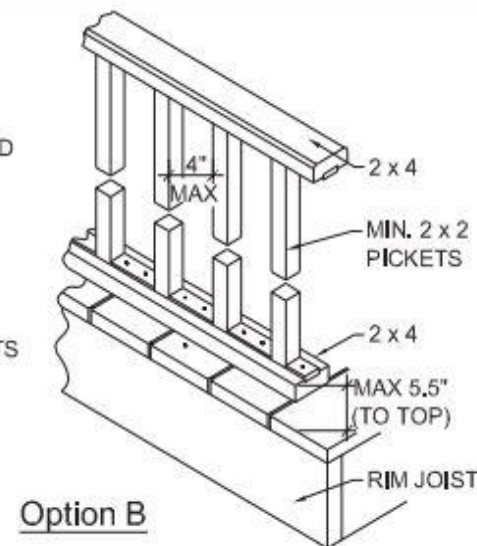
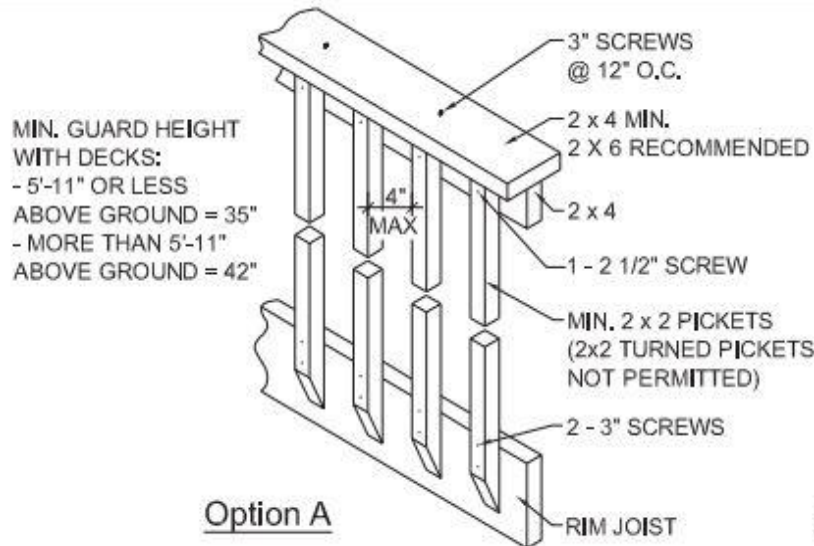
Guard, Post, Beam, Footing and Ledger Board

DATE:
JANUARY 2013

SCALE:
NOT TO SCALE

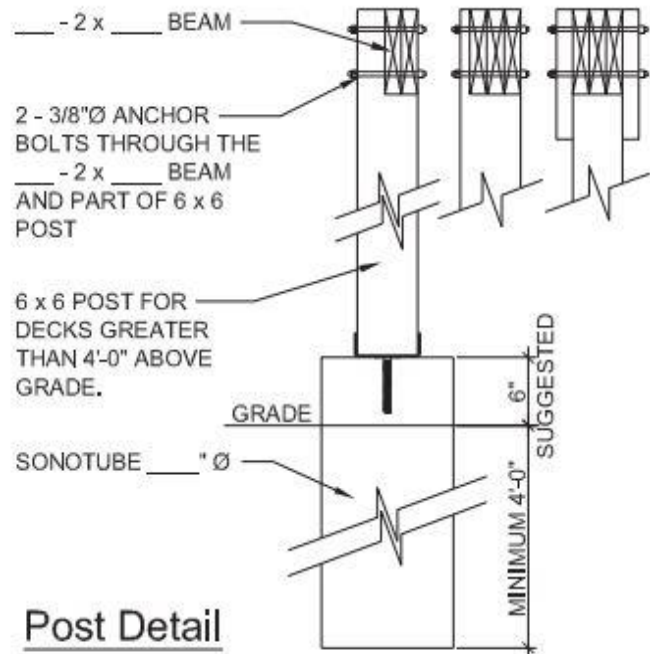
DRAWING NO.:

9-3b



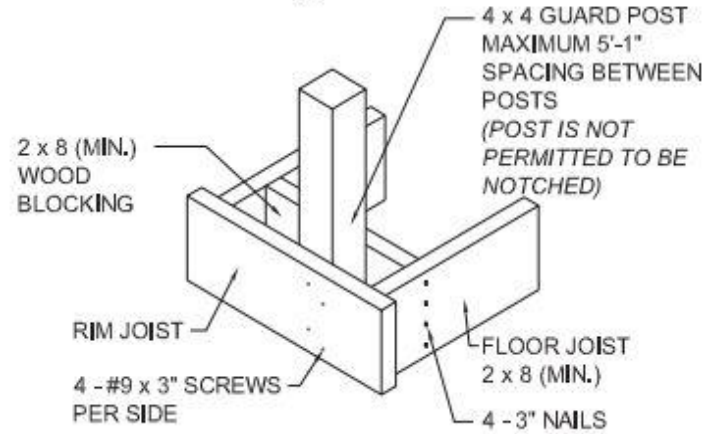
NOTE: ANYTHING OTHER THAN A WOOD GUARD/RAILING, PLEASE SUBMIT A COPY OF THE PRE-ENGINEERED GAURD/RAILING DETAILS WITH YOUR BUILDING APPLICATION.

Guard Details

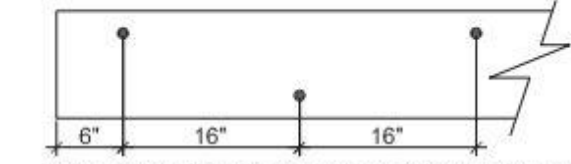


Post Detail

**SOLID BLOCKING REQUIRED FOR BEAMS @ 18" O.C.
**ADDITIONAL LATERAL BRACING MAY BE REQUIRED. CONFIRM WITH BUILDING INSPECTOR @ FRAMING INSPECTION.



Guard Post Detail



MINIMUM 3/8"Ø ANCHOR BOLTS @ 16" CENTERS STAGGERED. ANCHOR BOLTS MUST BE INTO WOOD FRAMING OR FOUNDATION WALL. DO NOT SECURE INTO BRICK VENEER ALONE.

Ledger Board Detail



ARNPRIOR

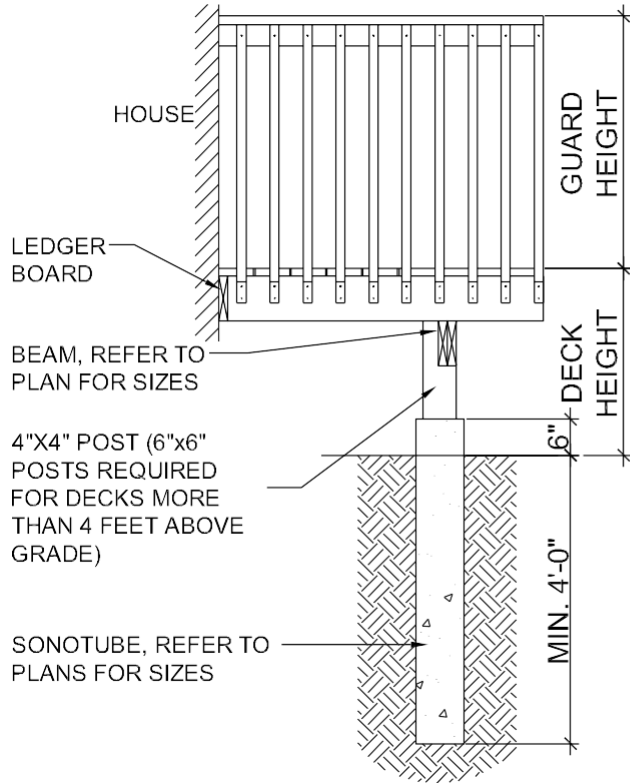
Building Division

Deck Elevations and Details

DATE:
JANUARY 2013

SCALE:
NOT TO SCALE

DRAWING NO.:
9-3c



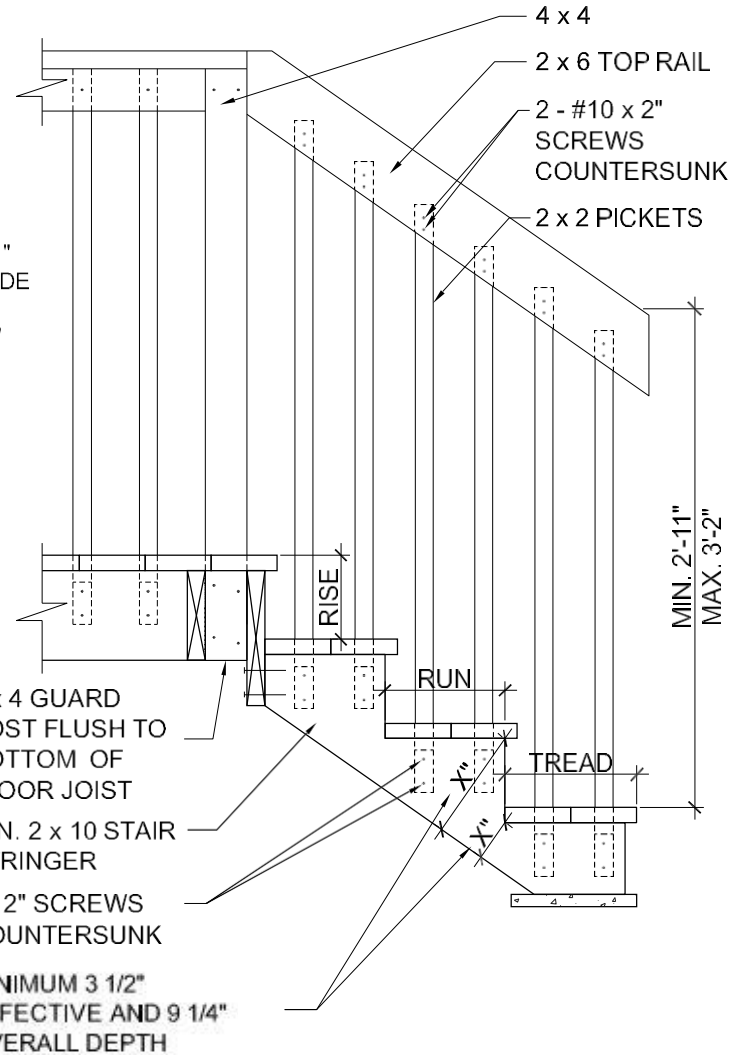
- 35" FOR DECKS 5'-11" OR LESS ABOVE GRADE
- 42" FOR DECKS GREATER THAN 5'-11" ABOVE GRADE.

Deck Elevation

Sonotube Sizes

Diameter	*Weight
8"Ø	1047 lbs
10"Ø	1635 lbs
12"Ø	2355 lbs
14"Ø	3207 lbs
16"Ø	4189 lbs

*Weight = (supported joist length each side of post x half beam length each side of post) x 40 lbs/SF



Stair Detail

Stair Dimensions		
Type	Max.	Min.
Rise	7 7/8"	4 7/8"
Run	14"	8 1/4"
Tread	14"	9 1/4"

max 1" nosing

*Risers shall have a uniform height in any one flight of stairs.

*Treads shall have a uniform run and tread depth in any one flight of stairs.

DECK NOTES

Footings:

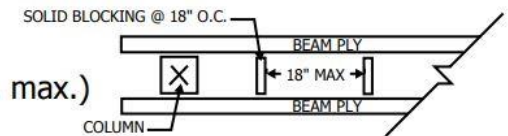
- Footings to be concrete filled sonotubes extending a minimum of 4'•0" below grade and 6" above grade. See the minimum diameters noted on the drawing.
- All footings to bear on undisturbed soil.

Columns:

- Minimum column size:
4"x4" for decks < 4'•0" above grade
6"x6" for decks > 4'•0" above grade

Beam/Joist Framing:

- 2x__ ledger board fastened to the house wood structure, NOT the brick veneer, with minimum 3/8" o bolts @ 16" o.c. staggered.
- If the beam is fastened on each side of the column, provide solid blocking @ 18" o.c. between plies of the beam.
- Max__" joist cantilever.
- Max__" beam cantilever.
- Joist hanger nails shall be used to attach all joist hangers. Do not use screws.
- Where the joists span > 6'•10", provide solid blocking at mid span (6'•10" o.c. max.)



TYPICAL LEDGER BOARD BOLT LENGTHS:

Siding • Minimum 8"

Concrete • Minimum 6" Sleeve Anchor

Brick • Minimum 10"

For other types of cladding, verify minimum bolt length with inspector prior to installation. The bolt must be able to be tightened without withdrawing. Both Lag Bolts and Lag Screws are permitted.

GUARD/RAILING NOTES:

- Guard posts are not permitted to be notched or sit outside the rim joist
- The maximum post spacing is 5'•1" for pressure treated S.P.F. guard posts.
- Minimum guard height:
35" for decks < 5'•11" above grade
42" for decks > 5'•11" above grade

IT IS THE CONTRACTOR'S RESPONSIBILITY TO ENSURE THAT ALL CONSTRUCTION CONFORMS TO THE REQUIREMENTS OF THE ONTARIO BUILDING CODE. NOTATIONS MADE ON THESE DRAWINGS ARE FOR YOUR INFORMATION AND ASSISTANCE ONLY AND DO NOT NECESSARILY COMMENT ON ALL AREAS OF CONSTRUCTION.

ALL GUARDS MUST BE NON-CLIMBABLE WITH NO HORIZONTAL MEMBERS BETWEEN 5½" AND 35" ABOVE THE FLOOR OR WALKING SURFACE.

THE ONTARIO BUILDING CODE REQUIRES THAT A COPY OF THE DRAWINGS ARE SPECIFICATIONS THAT HAVE BEEN REVIEWED BY OUR DEPARTMENT BE KEPT AT THE CONSTRUCTION SITE AT ALL TIMES.

PRIVATE STAIRS :

MAX. RISE 7⁷/₈"
MIN. RISE 4¹⁵/₁₆"
MAX. RUN 14"
MIN. RUN 8¹/₄"
MAX TREAD 14"
MIN TREAD 9¹/₄"